



This PDF is generated from authoritative online content, and is provided for convenience only. This PDF cannot be used for legal purposes. For authoritative understanding of what is and is not supported, always use the online content. To copy code samples, always use the online content.

Genesys Voice Platform Private Edition Guide

Architecture

8/10/2022

Learn about GVP architecture.

Related documentation:

-
-
-

RSS:

- [For private edition](#)

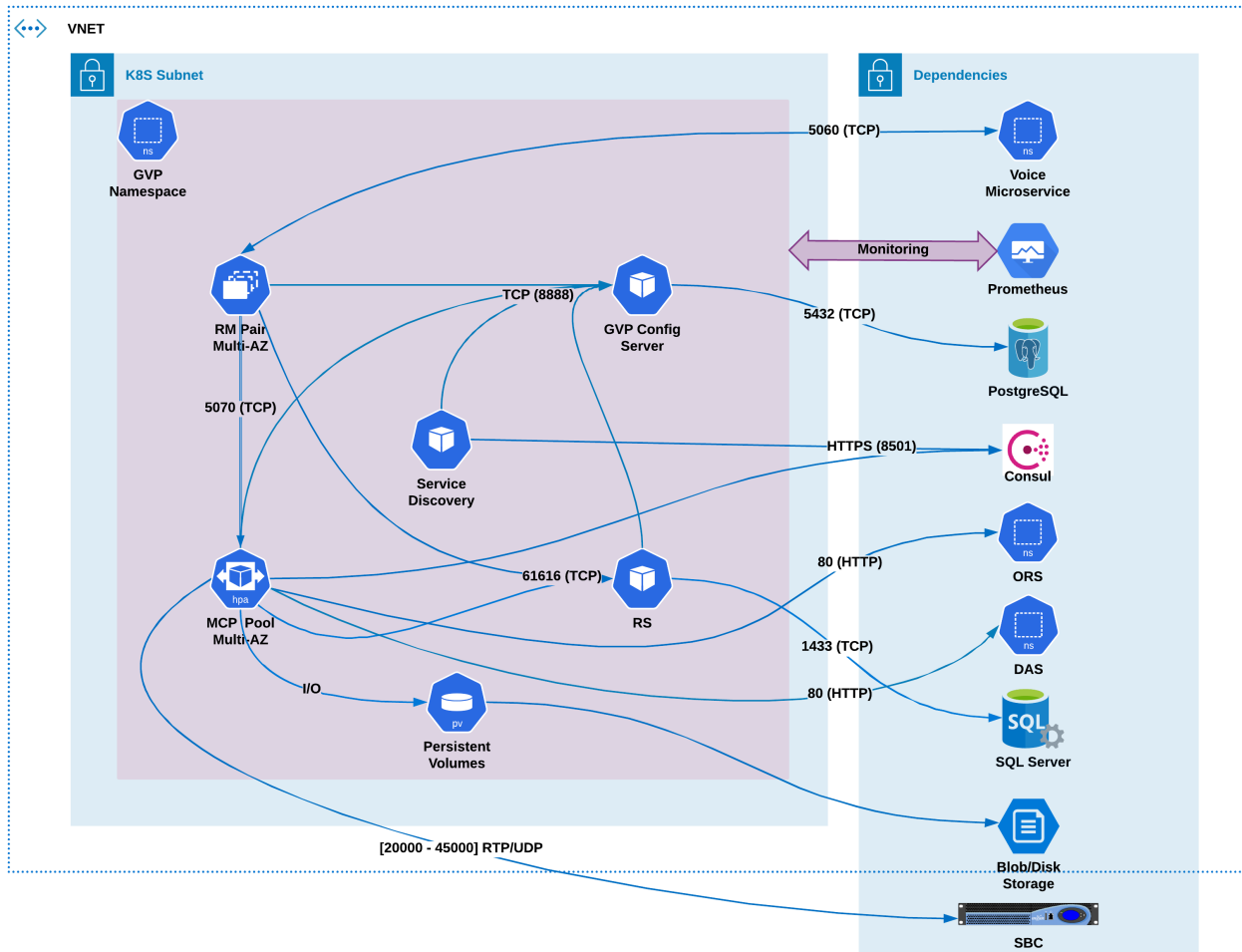
Genesys Voice Platform (GVP) comprises five services:

- GVP Configuration Server
- Service Discovery
- Reporting Server
- Resource Manager
- Media Control Platform

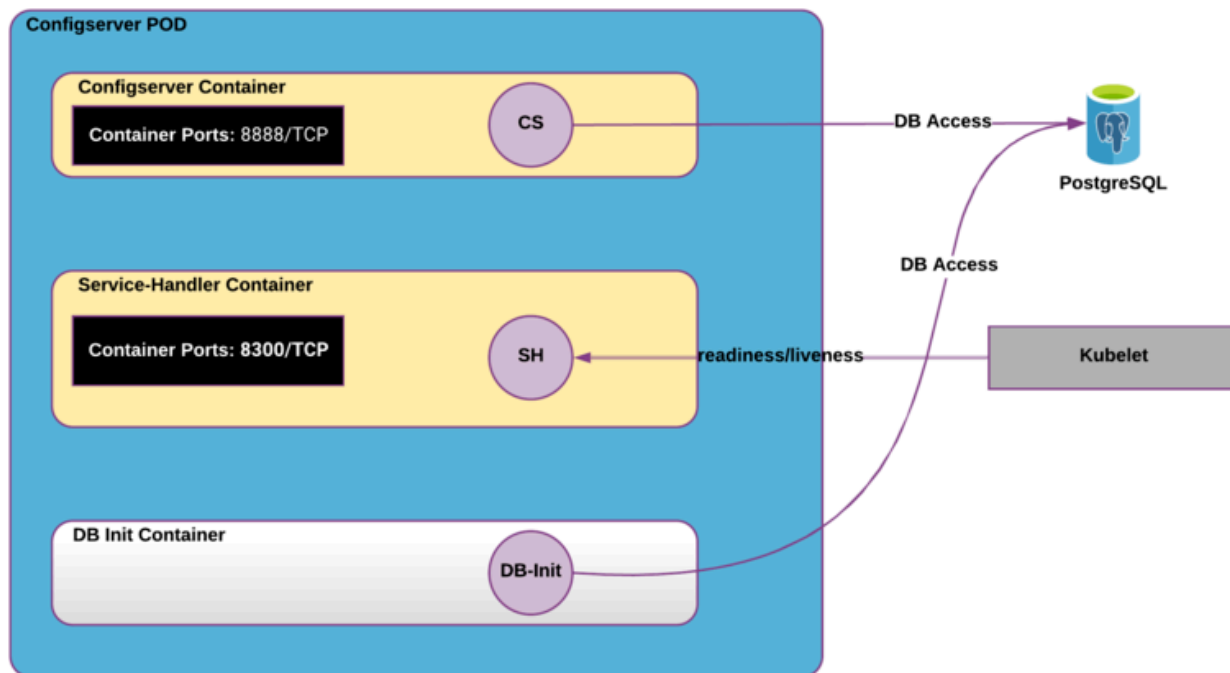
The diagrams in this topic illustrate the architecture of Genesys Voice Platform and the individual Pods.

For more information on the Genesys Multicloud CX private edition architecture, refer to the Architecture topic in the *Setting up Genesys Multicloud CX private edition* document.

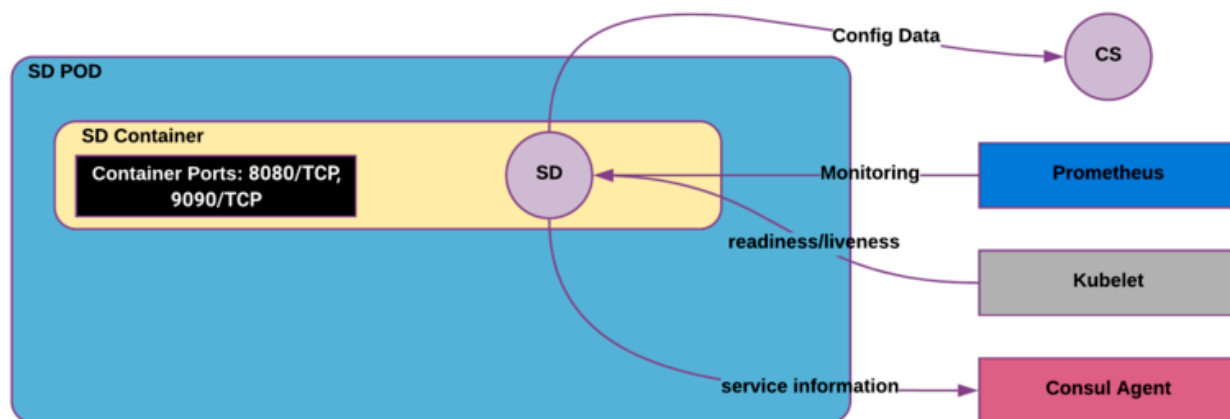
The following diagram shows the GVP architecture:



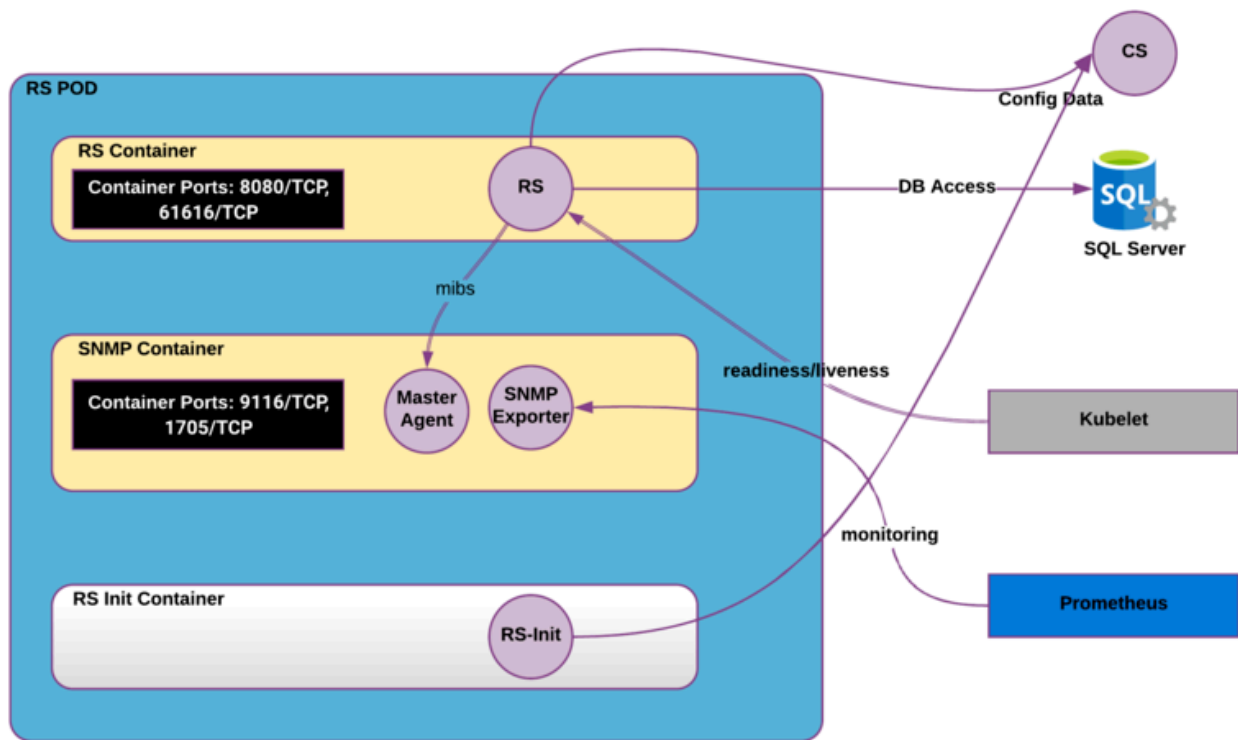
GVP Configuration Server Pod:



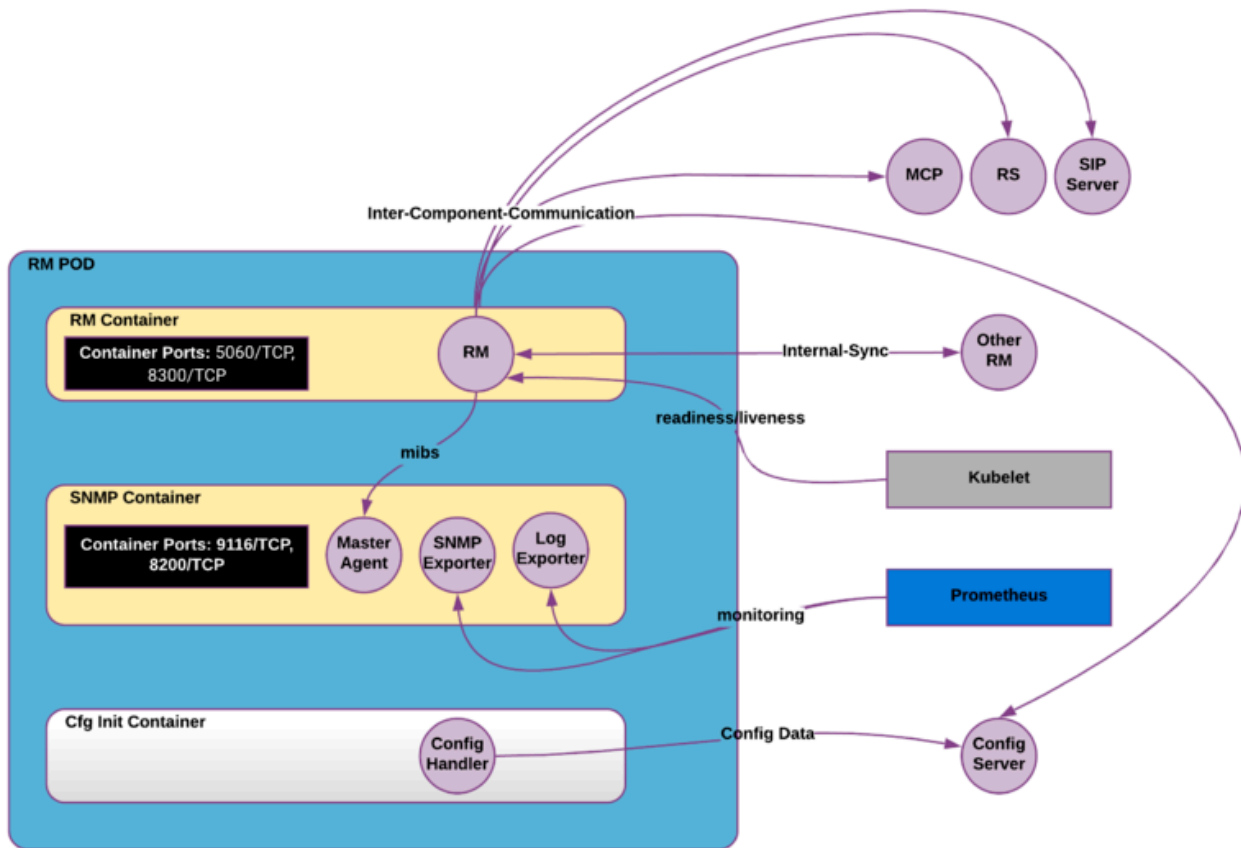
Service Discovery POD:



Reporting Server Pod:



Resource Manager Pod:



MCP Pod:

